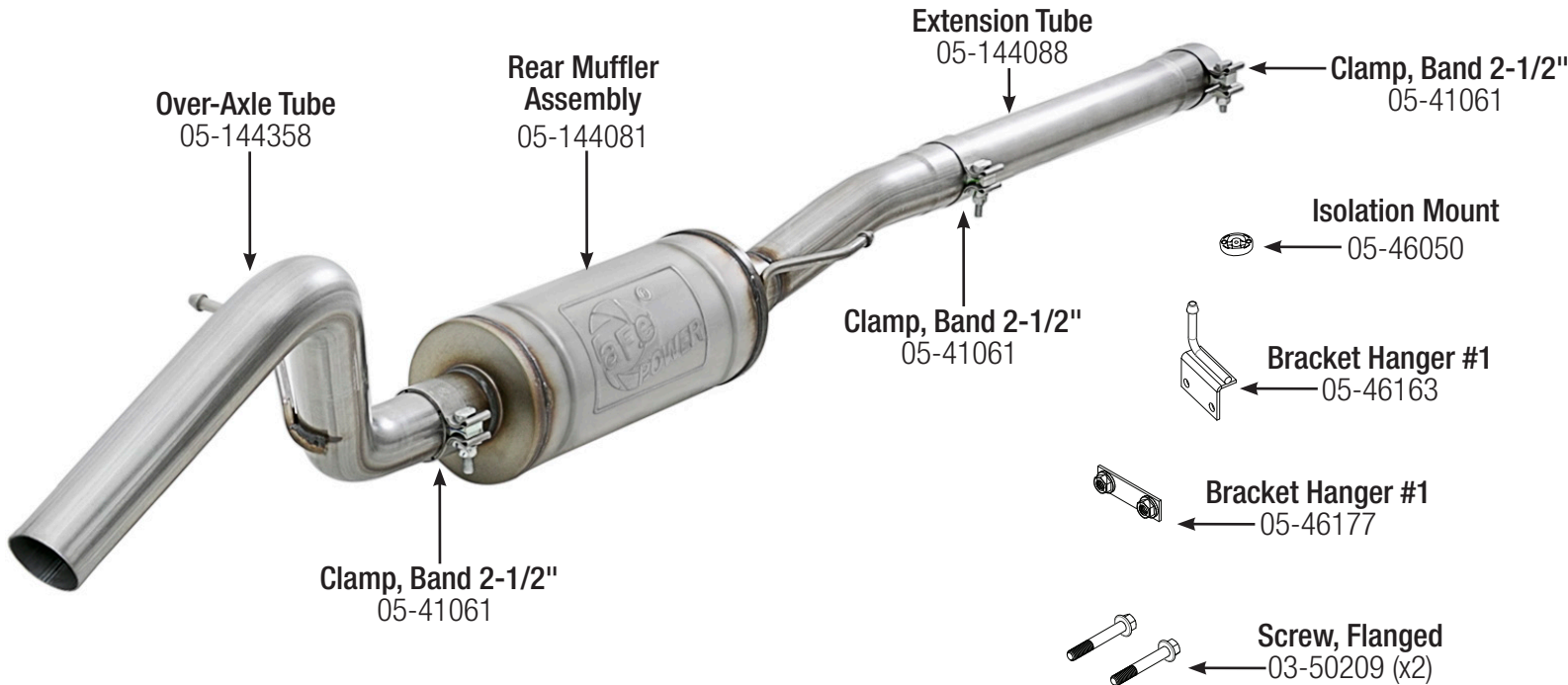




INSTALLATION INSTRUCTIONS

2-1/2" Stainless Steel Front Muffler Assembly Exhaust 49-48063

MAKE: Jeep
MODEL: Wrangler (JK)
YEAR: 2007-2018
ENGINE: V6-3.8L/3.6L (2DR/4DR)



Professional installation is highly recommended. (Read instructions prior to installation) To work properly with the vehicle. **Make sure to always have at least (2) stands or jacks on hand to support the removal of OE system. As, well as for the installation of aFe system. Any Removal of rubber isolation mounts may require using a spray lubricant such as WD40 and a pry bar.**

- Step 1:** (Read instructions prior to installation). It may be helpful to lubricate all the factory isolation rubber mounts, before taking off stock exhaust and also before installing aFe exhaust. Always use a Jack or Stand to support muffler when installing or uninstalling any exhaust system
- Step 2:** Begin by removing your stock exhaust from the rear of your truck working your way forward. Take caution not to damage the factory isolation mounts as they will be reused.
- Step 3:** For faster installation spread the pieces of the exhaust alongside of your vehicle, according to the diagram shown. It is recommended to not fully tighten any of the clamps until the entire system has been fully installed.
- Step 4:** Start by Bolting on the hanger bracket (05-46163) into position on **(Figure A)**.
- Step 5:** First, place the bolt-on plate (05-46177). On the top side of the cross member then align the hanger bracket and the (x2) bolts provided, before tightening down. NOTE: The Hanger bracket is bolted down on the cross member where the (EVAP) canister is located.



- aFe recommends that the tailpipe be at least 1/2"-1" away from any body panels to avoid heat related body damage. **Tighten and secure.**
- It is normal for the aFe Power Cat-back exhaust to emit smoke for the first few minutes upon initial start-up.

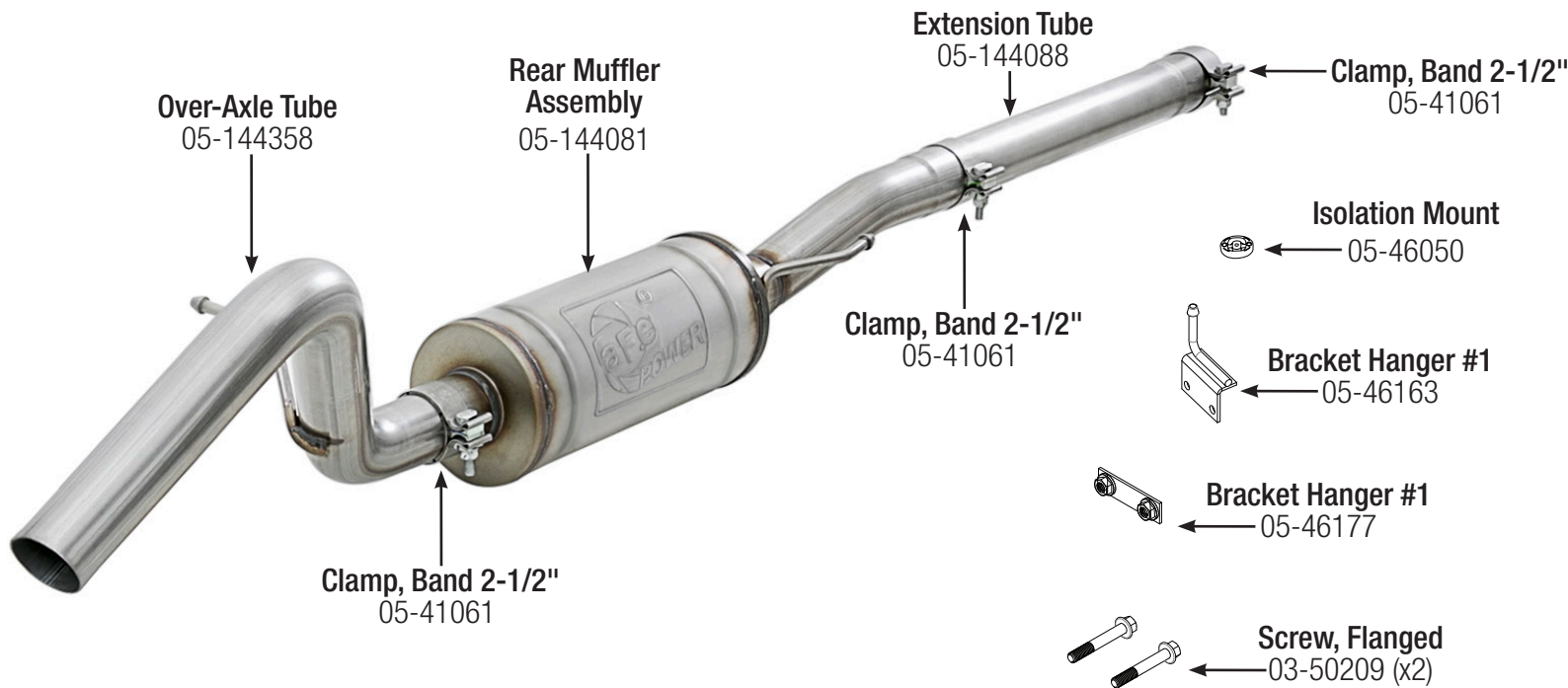
Caution: Allow time for your vehicle to cool down prior to installation. When working on or under your vehicle proceed with caution. Exhaust systems reach high temperatures and may cause serious burns. Wear protective safety equipment; eye goggles and gloves to ensure a safe installation. **aFe recommends professional installation on our products.**



INSTALLATION INSTRUCTIONS

MAKE: Jeep
MODEL: Wrangler (JK)
YEAR: 2007-2018
ENGINE: V6-3.8L/3.6L (2DR/4DR)

**2-1/2" Stainless Steel
Front Muffler Assembly
Exhaust
49-48063**



Professional installation is highly recommended. (Read instructions prior to installation) To work properly with the vehicle. **Make sure to always have at least (2) stands or jacks on hand to support the removal of OE system. As, well as for the installation of aFe system. Any Removal of rubber isolation mounts may require using a spray lubricant such as WD40 and a pry bar.**

Step 6: Place a 2.5" band clamp over the muffler assembly. Slip tube over the rear side of stock Y-Pipe. Using the factory isolation mount, slip the hangers from hanger bracket and muffler assembly into place.

(4 Door models must install extension tube first)

Step 7: Slide over-axle pipe into OE muffler and slip hangers into rubber isolation mounts.

Step 8: Place a 2.5" band clamp over the OE muffler. Then slide the over axle pipe into OE muffler and slip hangers into rubber isolation mounts.

Step 9: Straighten all exhaust components and begin to tighten down all clamps beginning at the front and ending at the rear.

Step 10: Re-check all work done for tightness. Remove vehicle from jack stands.

Step 11: Congratulations your exhaust is now complete and ready for daily use! It is recommended to re-tighten all clamps after 50-100 miles.

Note: It is normal for the aFe Power Cat-back exhaust to emit smoke for the first few minutes upon initial start-up.

- aFe recommends that the tailpipe be at least 1/2"-1" away from any body panels to avoid heat related body damage. **Tighten and secure.**
- It is normal for the aFe Power Cat-back exhaust to emit smoke for the first few minutes upon initial start-up.

Caution: Allow time for your vehicle to cool down prior to installation. When working on or under your vehicle proceed with caution. Exhaust systems reach high temperatures and may cause serious burns. Wear protective safety equipment; eye goggles and gloves to ensure a safe installation. **aFe recommends professional installation on our products.**