

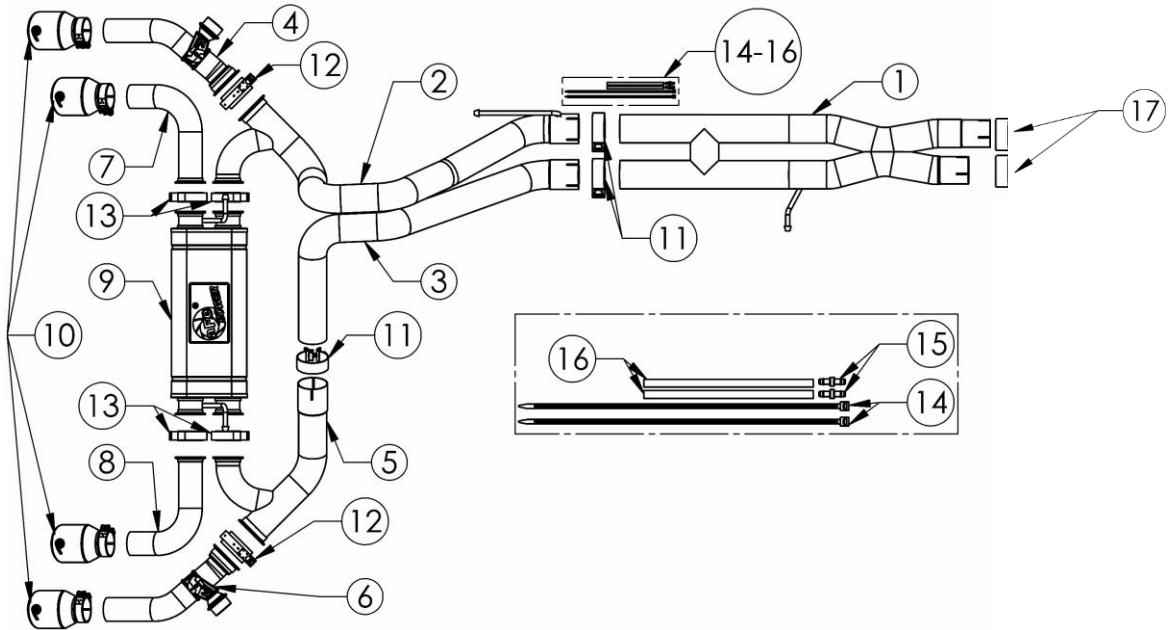


INSTALLATION INSTRUCTIONS

Cat-Back Exhaust

MAKE: Jeep
MODEL: Wrangler JL 392
YEAR: 2021-2022
ENGINE: V8-6.4L

49-38098-P
 49-38098-B



Item	Description	Part Number	Quantity
1	X-Pipe Assembly	05-245240	1
2	Driver Side Over-Axle	05-245242	1
3	Passenger Side Over-Axle	05-245241	1
4	Driver Side Outer Tail Pipe	05-245246	1
5	Passenger Side Muffler Inlet	05-245243	1
6	Passenger Side Outer Tail Pipe	05-245245	1
7	Driver Side Inner Tail Pipe	05-245248	1
8	Passenger Side Inner Tail Pipe	05-245247	1
9	Muffler Assembly	05-245244B	1
10	EXH Tip 2-1/2 In x 4 Out x 7L Bolt-On Pol	49T25404-P06	4
10	EXH Tip 2-1/2 In x 4 Out x 7L Bolt-On Blk	49T25404-B06	4
11	Clamp, Band: 3"	05-41055	3
12	Clamp, V-Band: (2-2/3" – 3")	05-41588	2
13	Clamp, V-Band Set: 2.5"	05-410196	4
14	Zip Tie	05-60167	2
15	Barbed Vacuum Connector: .17" ID	05-46515	2
16	Hose, Silicone: 4mm ID	05-46512	2
17	Clamp, Band: 2-3/4"	05-41160	2

aFe POWER recommends professional installation on this product. Thoroughly inspect the aFe POWER exhaust system to make sure there is no damage from shipping (if damage is noted, immediately contact aFe POWER customer service). Allow time for your vehicle to cool down prior to installation. When working on your vehicle proceed with caution. Wear protective safety equipment; eye goggles and gloves to ensure a safe installation.

Install band clamps to proper torque specifications of 40-45 ft-lb.

Install V-band clamps with anti-seize lubricant and hand tighten only to torque specifications of 10-15 ft-lb.



INSTALLATION INSTRUCTIONS

Cat-Back Exhaust

MAKE: Jeep
MODEL: Wrangler JL 392
YEAR: 2021-2022
ENGINE: V8-6.4L

49-38098-P
49-38098-B

1. **(Read instructions prior to installation.)** It is recommended to not fully tighten the exhaust until it has been fully installed. Leave loose for adjustability.
2. Secure vehicle on jack stands (refer to your manual for specified jack stand positions).
3. For faster installation, spread out the parts of the exhaust alongside your vehicle as shown in the diagram above.
4. Secure the stock exhaust with jack/stands.
5. Disconnect Vacuum Line from O.E. Pneumatic Valve from passenger and driver side.
6. Loosen O.E. Over-Axle Clamps. Slide the two rear hangers from the Rubber Isolator Mounts holding the O.E. Rear Muffler. Remove the O.E. Rear Muffler from the Vehicle.
7. Loosen O.E. Front Clamps. Slide the two hangers from the Rubber Isolator Mounts holding the O.E. Front Muffler. Remove the O.E. front muffler from the Vehicle.
8. Install aFe Power X-Pipe Assembly and Secure with provided 2-3/4" Band Clamps. Slide Hanger into O.E. rubber isolation mounts.
9. Slide aFe Power Driver Side Over-Axle into aFe Power X-Pipe Assembly. Secure with provided 3" band clamp. Slide hanger into O.E. rubber isolation mount.
10. Slide aFe Power Passenger Side Over-Axle into aFe Power X-Pipe Assembly. Secure with provided 3" band clamp.
11. Slide aFe Power Passenger Side Muffler Inlet into aFe Power Passenger Side Over-Axle. Secure with provided 3" band clamp.
12. Install aFe Power Muffler Assembly onto aFe Power Passenger Side Muffler Inlet and aFe Power Driver Side Over-Axle using provided 2.5" V-Band Clamps. Tighten Down V-band Clamp to secure in place. Slide hangers into O.E. rubber isolation mounts.
13. Install aFe Power Driver Side Outer Tail Pipe onto aFe Power Driver Side Over-Axle using provided 3" V-Band Clamp. Tighten Down V-Band Clamp to secure in place.
14. Install aFe Power Passenger Side Outer Tail Pipe onto aFe Power Passenger Side Muffler Inlet using provided 3" V-Band Clamp. Tighten Down V-Band Clamp to secure in place.
15. Install aFe Power Passenger Side Inner Tail Pipe onto aFe Power Muffler Assembly using provided 3" V-Band Clamp. Tighten Down V-Band Clamp to secure in place.
16. Install aFe Power Driver Side Inner Tail Pipe onto aFe Power Muffler Assembly using provided 3" V-Band Clamp. Tighten Down V-Band Clamp to secure in place.
17. Install the provided Barbed Vacuum Connector into the O.E Vacuum Line located on the Driver Side, Install provided Silicone Vacuum Line onto the Barbed Vacuum Connector and Install provided Silicone Vacuum line into the Pneumatic valve located on aFe Power Driver Side Outer Tail Pipe. Use provided Zip ties to secure Vacuum line away from the exhaust.
18. Install the provided Barbed Vacuum Connector into the O.E Vacuum Line located on the Passenger Side, Install provided Silicone Vacuum Line onto the Barbed Vacuum Connector and Install provided Silicone Vacuum line into the Pneumatic valve located on aFe Power Passenger Side Outer Tail Pipe. Use provided Zip ties to secure Vacuum line away from the exhaust.
19. Install aFe Power Exhaust tips.
20. Ensure that all the components of the aFe POWER exhaust system are aligned and are at a safe clearance from all wires, hoses, brake lines, body parts, and tires.
21. Start from the front of the aFe exhaust system and evenly tighten all clamps and fasteners.
22. Start the vehicle and check for any leaks. If any leaks are found, determine cause and repair as necessary.
23. Remove vehicle from jacks stands.
24. It is recommended to re-tighten all clamps and hardware after 50-100 miles.



INSTALLATION INSTRUCTIONS

MAKE: Jeep
MODEL: Wrangler JL 392
YEAR: 2021-2022
ENGINE: V8-6.4L

Cat-Back Exhaust
49-38098-P
49-38098-B

