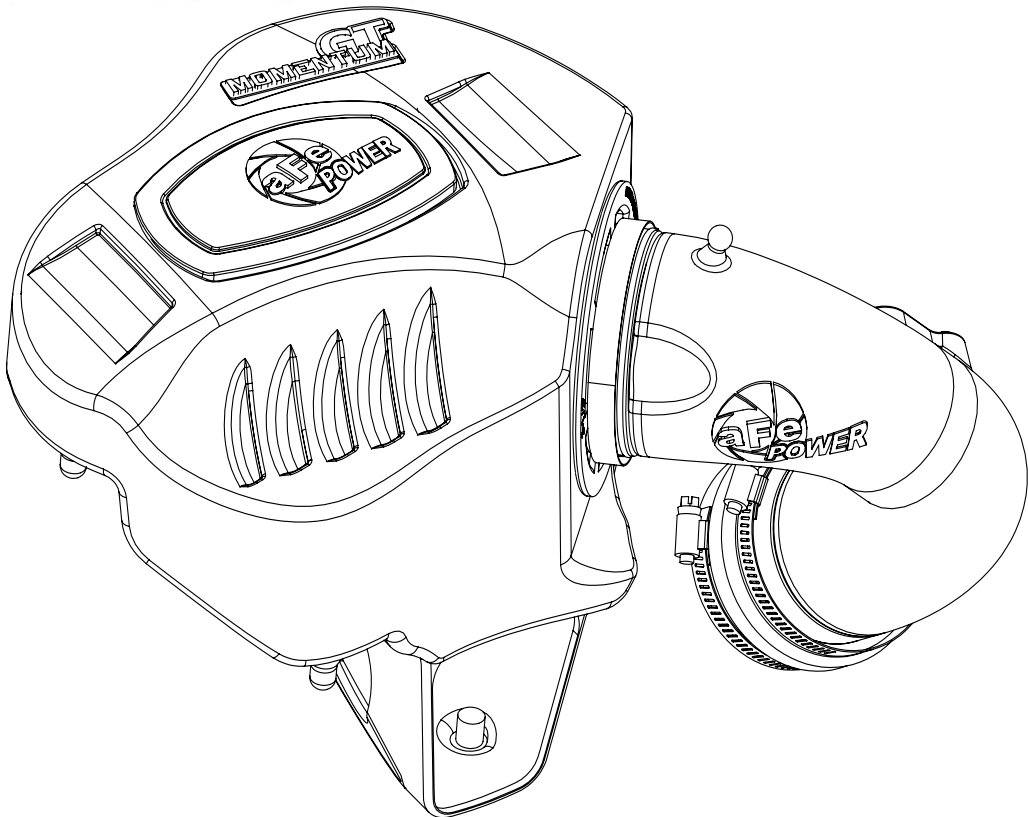


GT
MOMENTUM™



advanced FLOW engineering Momentum GT Cold Air Intake System

Instruction Manual P/N: 51-76312 / 54-76312

Make: **BMW** Model: **330i/ix/GT 430i/ix (F32/F33)** Year: **2016-2020** Engine: **L4-2.0L (t) B46/B48**
Make: **BMW** Model: **430i/ix Gran Coupe (F36)** Year: **2016-2020** Engine: **L4-2.0L (t) B46/B48**
Make: **BMW** Model: **230i/ix (F22/F23)** Year: **2017-2020** Engine: **L4-2.0L (t) B46/B48**



- Please read the entire instruction manual before proceeding.
- Ensure all components listed are present.
- If you are missing any of the components, call customer support at 951-493-7100.
- Ensure you have all necessary tools before proceeding.
- Do not attempt to work on your vehicle when the engine is hot.
- Disconnect the negative battery terminal before proceeding.
- Retain factory parts for future use.

Label	Qty.	Description	Part Number
A1	1	Air Filter (Pro DRY S)	21-91103
A2	1	Air Filter (Pro 5R)	24-91103
B	1	Housing	05-76309B2
C	1	Tube	05-76312B1
D	1	Mount, Rubber	03-50534
E	2	Screw, Torx: M4	03-50490
F	1	Coupling, Silicone Dbl Hump	05-01416
G	2	Clamp #052	03-50008

Tools needed: 7mm, 8mm Nut driver, 10mm Nut Driver, 1/4" Ratchet, 10mm, 13mm Socket, Flathead Screw Driver, Pliers.

Note: Legal in California for use on race vehicles only. The use of this device on vehicles used on public streets or highways is strictly prohibited in California and others states that have adopted California emission regulations.

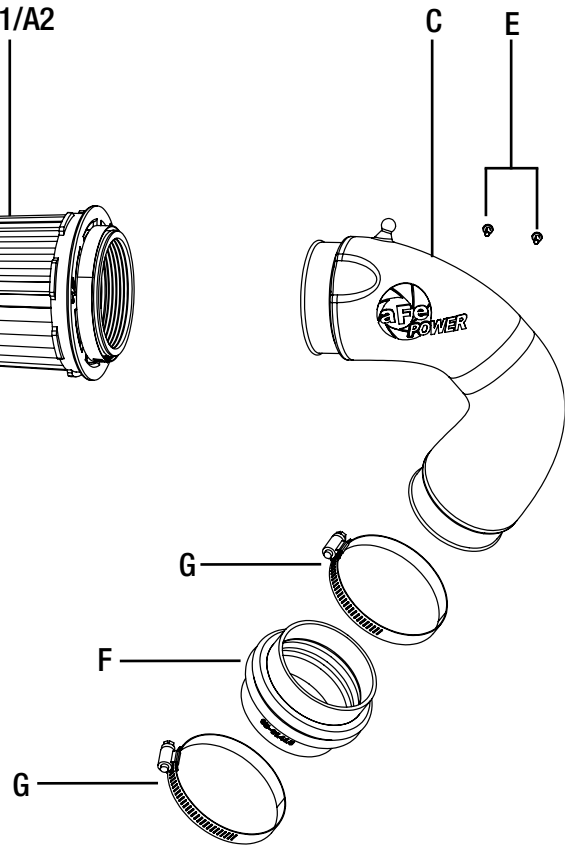
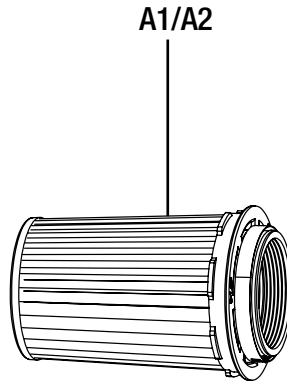
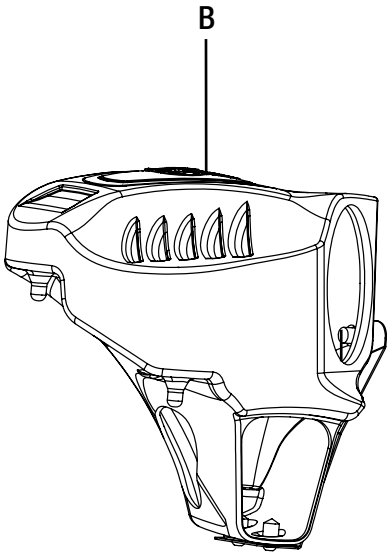




Figure A

Refer to Figure A for Steps 1-3

- Step 1: Remove the factory air intake cover by pulling on it then disconnect the Mass Air Flow (MAF) sensor.
- Step 2: Open the clamp securing the factory intake tube to the housing by prying it open then pull the factory air box out of the vehicle.
- Step 3: Loosen the clamp securing the intake tube to the turbo inlet tube, then take the intake tube out of the vehicle.



Figure B

Refer to Figure B for Steps 4-5

- Step 4: Install the aFe filter into the aFe housing by firmly pushing it until it snap in. Install the clamp on the filter, but do not tighten as this time.
- Step 5: Install the provided grommet into the small hole at the bottom of the aFe housing.

**Figure C****Refer to Figure C for Step 6**

Step 6: Verify the two factory grommets stayed in their location when you removed the factory air box. If necessary, re-install them.



Figure D

Refer to Figure D for Step 7

Step 7: Install the aFe housing assembly by firmly pushing it into the grommets.



Figure E

Refer to Figure E for Steps 8-9

- Step 8: Transfer the MAF sensor from the factory airbox to the aFe intake tube. Secure it using the provided screws.
- Step 9: Install the aFe coupling and clamps on to the tube. Do not tighten clamps at this time.



Figure F

Refer to Figure F for Steps 10-11

Step 10: Install the aFe tube into the vehicle by sliding on to the turbo inlet first, then into the filter.

Step 11: Align the tube, coupling and filter then tighten all clamps.



Figure G

Refer to Figure G for Steps 12-13

Step 12: Re-connect the MAF sensor harness.

Step 13: Re-install the factory intake cover if desired. Your installation is now complete.

NOTE: Check all clamps and connectors after 200 miles.

PAGE INTENTIONALLY LEFT BLANK



PAGE INTENTIONALLY LEFT BLANK

PAGE INTENTIONALLY LEFT BLANK



Pro DRY S Air Filter



P/N: 21-91103

Pro 5R Air Filter



P/N: 24-91103

Pro DRY S Restore Kit



P/N: 90-59999

Blue Squeeze Restore Kit



P/N: 90-50501

Blue Aerosol Restore Kit



P/N: 90-50001

Dynamic Air Scoop



P/N: 54-12218 (Black)
54-12218-C (C/F)

SCORCHER GT Module



P/N: 77-46318

To purchase any of the items above, view airflow charts, dyno graphs, photos, and video; please go to aFepower.com.

Warranty

General Terms:

- aFe warrants their products to be free from manufacturer's defects due to workmanship and material.
- This warranty applies only to the original purchaser of the product and is nontransferable.
- Proof of purchase of the aFe product is required for all warranty claims.
- Warranty is valid provided aFe instructions for installation and/or cleaning were properly followed.
- Proper maintenance with regular inspections of product is required to insure warranty coverage.
- Damage due to improper installation, abuse, unauthorized repair or alteration is not warranted.
- Incidental or consequential damages or cost, including installation and removal of part, incurred due to failure of aFe product is not covered under this warranty.
- All warranty is limited to the repair and/or replacement of the aFe part. To request Return Goods Authorization ("RGA"), email RGA@afepower.com or call (951)493-7100. Upon receipt of the RGA, you must return the product to the address provided in the RGA, freight prepaid and accompanied with a dated proof of purchase and the RGA. Upon receipt of the defective product and upon verification of proof of purchase, aFe will either repair or replace the defective product within a reasonable time, not to exceed thirty days.

Product Category	P/N Prefix	Warranty duration
Direct OE Replacement Filters	10, 11, 30, 31, 71, 73	Life of the vehicle
Racing Filters	18	1 year
Universal	21, 24, 72	2 years
Air Intake Systems	50, 51, 54, 55, 75	2 years
Exhaust Systems	49	2 years
Intercoolers & Intercooler Tubes	46-2	2 years
Intake Manifolds	46-1	2 years
Differential Cover	46-7	Life of the vehicle
Exhaust Manifolds	46	2 years
Throttle Body Spacers	46-3	2 years
Fluid Filters	44	90 days
Pre-Filters	28	2 years
Heavy Duty OE Replacement	70	2 years
PowerSports OE Replacement	81, 87	2 years
PowerSports Intake Systems	85	2 years

No other warranty expressed or implied applies nor is any person or advanced FLOW engineering authorized to assume any other warranty. Some States do not allow the exclusion or limitation of incidental or consequential damages or do not allow limitations on how long an implied warranty lasts, so the above limitations or exclusions may not apply to you. This warranty gives you specific legal rights, and you may also have other rights which vary from State to State.



advanced FLOW engineering, inc.
252 Granite Street Corona, CA 92879
TEL: 951.493.7100 • TECH: 951.493.7134
E-Mail: Tech@aFepower.com