

**advanced FLOW engineering** Track Series Cold Air Intake System  
**Instruction Manual** P/N: 57-10001D / 57-10001R

Make: **Dodge** Model: **Challenger SRT Demon** Year: **2018** Engine: **V8-6.2L (sc) HEMI**



- Please read the entire instruction manual before proceeding.
- Ensure all components listed are present.
- If you are missing any of the components, call customer support at 951-493-7100.
- Ensure you have all necessary tools before proceeding.
- Do not attempt to work on your vehicle when the engine is hot.
- Disconnect the negative battery terminal before proceeding.
- Retain factory parts for future use.

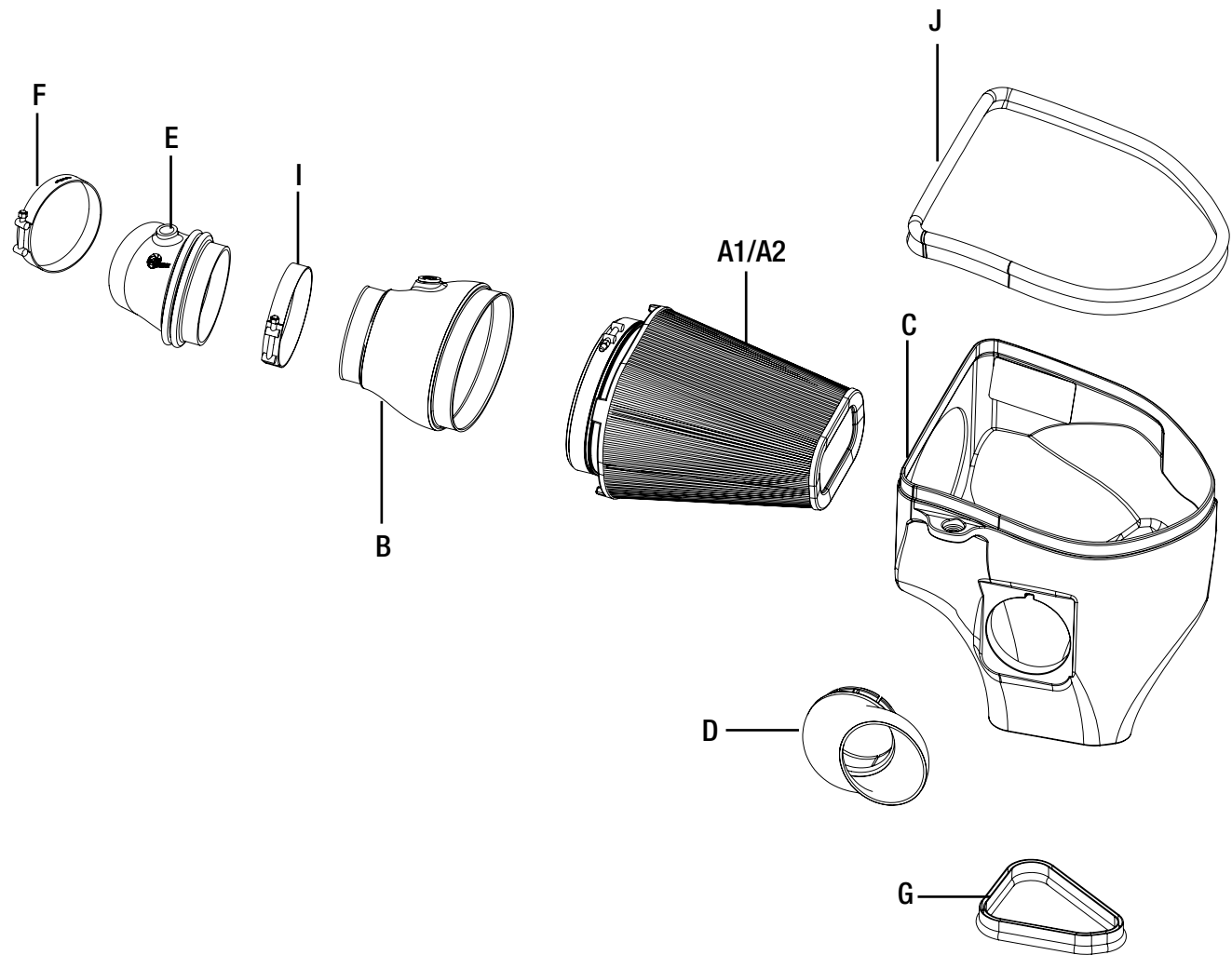
Label	Qty.	Description	Part Number
A1	1	Air Filter (Pro DRY S)	21-90110-CF
A2	1	Air Filter (Pro 5R)	24-90110-CF
B	1	Tube	05-5413021C1
C	1	Housing	05-5413021B2
D	1	Scoop	05-5413021B3
E	1	Coupling, Silicone Bellows	05-01495
F	1	Clamp, T-bolt (4-1/16" - 4-3/8")	03-50262
G	1	Seal, Trim: 3/4" (19.5" inches)	05-00007
I	1	Clamp, T-bolt (4-9/16" - 4-7/8")	03-50319
J	1	Seal, Trim: 3/4" (41" inches)	05-00007

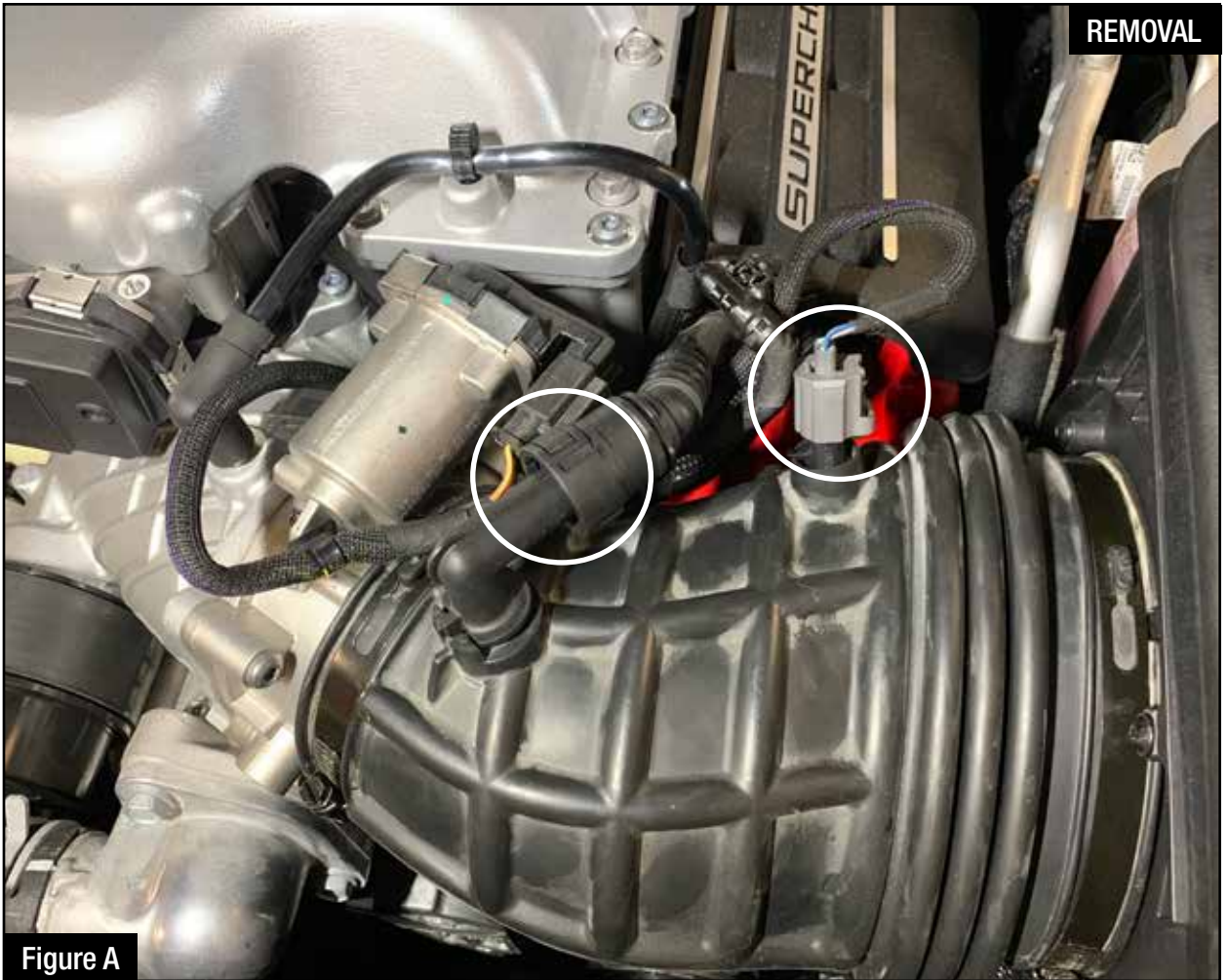
### **Installation will require the following tools:**

8mm and 11mm nut driver or socket and flat screw driver.

### **Emissions Disclaimer:**

This product is not currently CARB exempt and is not available for purchase in California or for use on any vehicle registered with the California Department of Motor Vehicles.





**Refer to Figure A for Steps 1-2**

Step 1: Disconnect the 90 degree fitting from the PCV hose.

Step 2: Disconnect the temperature sensor from the engine harness.



**Figure B**

**Refer to Figure B for Steps 3-4**

Step 3: Using an 8mm nut driver, Loosen the two clamps securing the factory intake tube.

Step 4: Remove the factory intake tube from the vehicle.



**Refer to Figure C for Steps 5-6**

Step 5: Remove the 8mm bolt securing the factory airbox.

Step 6: Remove the factory airbox and scoop from the vehicle as one piece.

**Figure D****Refer to Figure D for Steps 7-9**

Step 7: Transfer the metal sleeve and grommet from the factory airbox to the aFe POWER airbox.

Step 8: Install the provided trim seal around the top and bottom edges of the airbox.

Step 9: Install the aFe POWER dynamic air scoop (D.A.S) into the airbox.



**Refer to Figure E for Step 10**

Step 10: Install the aFe POWER airbox into the vehicle. Do not install the 8mm bolt yet.





Figure F

**Refer to Figure F for Step 11**

Step 11: Install the air filter into the aFe POWER airbox. Push it in the oval opening from the inside of the housing until the filter lip locks into place.



Figure G

**Refer to Figure G for Step 12**

Step 12: Install the coupling on the throttle body. Install with the clamp closest to the throttle body only, do not tighten clamp yet.



**Refer to Figure H for Step 13**

Step 13: Install the aFe POWER intake tube, by sliding the tube into the filter first and then the coupling.



Figure I

**Refer to Figure I for Steps 14-16**

Step 14: Open the two (2) remaining clamps and install them around the filter and intake tube.

Step 15: Adjust the tube and coupling as needed and then tighten all clamps.

Step 16: Install the 8mm bolt removed in Step 5 to secure the aFe POWER airbox.



Figure J

**Refer to Figure J for Steps 17-18**

Step 17: Transfer the plastic 90 degree fitting from the factory intake tube to the aFe POWER coupling and connect to the PCV hose.

Step 18: Transfer the temp sensor from the factory intake tube to the aFe POWER intake tube and connect it to the engine harness. Your installation is now complete. Thank you for choosing aFe POWER!

**NOTE: Check all bolts, clamps, and connectors after 100-200 miles.**



Pro DRY S Air Filter



P/N: 21-90110-CF  
(w/ Carbon Fiber Top)

Pro 5R Air Filter



P/N: 24-90110-CF  
(w/ Carbon Fiber Top)

Pro DRY S Air Filter



P/N: 21-90110

Pro 5R Air Filter



P/N: 24-90110

Pro DRY S Restore Kit



P/N: 90-59999

Blue Squeeze Restore Kit



P/N: 90-50501

Pre-Filter



P/N: 28-10423

Long Tube Headers +  
Connection Pipes



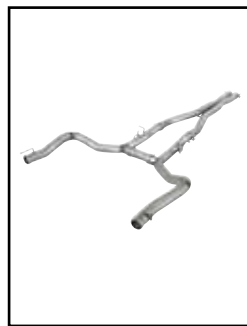
P/N: 48-32012-YC (Street)  
48-32012-YN (Race)

Cat-Back Exhaust System



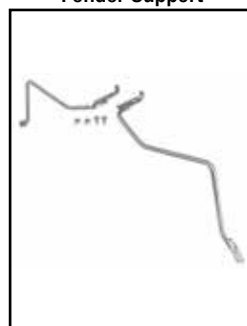
P/N: 49-32062

Cat-Back Exhaust System



P/N: 49-32062NM  
(Muffler Delete)

Exhaust System  
Fender Support



P/N: 49-82010

To purchase any of the items above, view airflow charts, dyno graphs, photos, and video; please go to [aFepower.com](http://aFepower.com).

# Warranty

## General Terms:

- aFe warrants their products to be free from manufacturer's defects due to workmanship and material.
- This warranty applies only to the original purchaser of the product and is nontransferable.
- Proof of purchase of the aFe product is required for all warranty claims.
- Warranty is valid provided aFe instructions for installation and/or cleaning were properly followed.
- Proper maintenance with regular inspections of product is required to insure warranty coverage.
- Damage due to improper installation, abuse, unauthorized repair or alteration is not warranted.
- Incidental or consequential damages or cost, including installation and removal of part, incurred due to failure of aFe product is not covered under this warranty.
- All warranty is limited to the repair and/or replacement of the aFe part. To request Return Goods Authorization ("RGA"), email [RGA@afepower.com](mailto:RGA@afepower.com) or call (951)493-7100. Upon receipt of the RGA, you must return the product to the address provided in the RGA, freight prepaid and accompanied with a dated proof of purchase and the RGA. Upon receipt of the defective product and upon verification of proof of purchase, aFe will either repair or replace the defective product within a reasonable time, not to exceed thirty days.

<b>Product Category</b>	<b>P/N Prefix</b>	<b>Warranty duration</b>
Direct OE Replacement Filters	10, 11, 30, 31, 71, 73	Life of the vehicle
Racing Filters	18	1 year
Universal	21, 23, 24, 72	2 years
Air Intake Systems	50, 51, 52, 53, 54, 55, 56, 57, 58, 75	2 years
Exhaust Systems	49	2 years
Intercoolers & Intercooler Tubes	46-2	2 years
Intake Manifolds	46-1	2 years
Differential Cover	46-7	Life of the vehicle
Exhaust Manifolds	46	2 years
Throttle Body Spacers	46-3	2 years
Fluid Filters	44	90 days
Pre-Filters	28	2 years
Heavy Duty OE Replacement	70	2 years
PowerSports OE Replacement	81, 87	2 years
PowerSports Intake Systems	85	2 years

No other warranty expressed or implied applies nor is any person or advanced FLOW engineering authorized to assume any other warranty. Some States do not allow the exclusion or limitation of incidental or consequential damages or do not allow limitations on how long an implied warranty lasts, so the above limitations or exclusions may not apply to you. This warranty gives you specific legal rights, and you may also have other rights which vary from State to State.



**advanced FLOW engineering, inc.**

252 Granite Street Corona, CA 92879

TEL: 951.493.7100 • TECH: 951.493.7134

E-Mail: [Tech@aFepower.com](mailto:Tech@aFepower.com)