

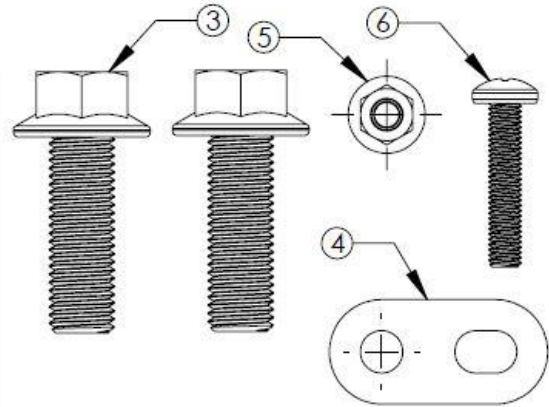
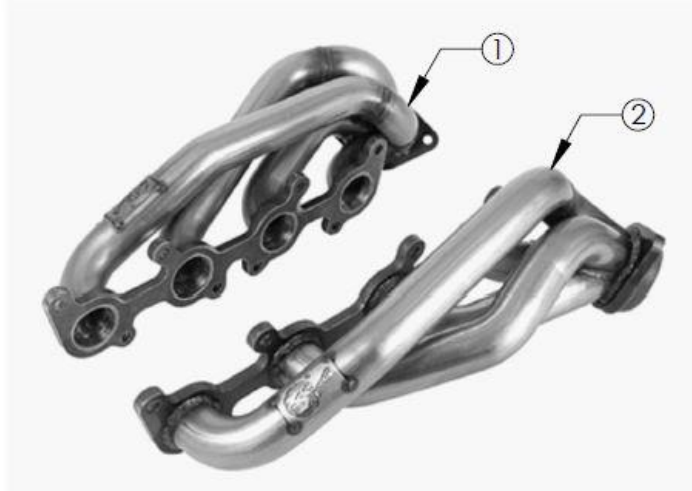


INSTALLATION INSTRUCTIONS

MAKE: Ford
 MODEL: F-150
 YEAR: 2015-2022
 ENGINE: V8-5.0L

Shorty Headers

49-33025-1
 49-33025-1T



EMISSIONS DISCLAIMER

This product is not currently CARB exempt and is not available for purchase in California or for use on any vehicle registered with the California Department of Motor Vehicles.

Item	Description	Part Number	Quantity
1	Right Header	05-145560T	1
1	Right Header	05-145560T	1
2	Left Header	05-145561T	1
2	Left Header	05-145561T	1
3	Bolt, M10 x 1.25 x 30mm	03-50469	2
4	Dipstick Bracket	05-46485	1
5	Nut, M5 x .8	03-50758	1
6	Screw, M5 x .8 x 25mm	03-50757	1

aFe POWER recommends professional installation on this product. Thoroughly inspect the aFe POWER exhaust system to make sure there is no damage from shipping (if damage is noted, immediately contact aFe POWER customer service). Allow time for your vehicle to cool down prior to installation. When working on your vehicle proceed with caution. Wear protective safety equipment; eye goggles and gloves to ensure a safe installation.

Install band clamps to proper torque specifications of 40-45 ft-lb.

- (Read instructions prior to installation.)**
- Disconnect the battery before starting work on the exhaust system.
- Secure the stock exhaust with jack/stands.
- Loosen the (x2) 12mm bolts on the 2-bolt exhaust flange connection.
- Remove exhaust from all hangers and remove from truck.
- Remove skid plate on left side of transmission cross member (4) 8mm bolts.
- Remove (2) 6mm bolts on the Left and Right heat shields to transmission cross member.
- Un-plug O2 sensors on OE Y-pipe.
- Loosen clamp on Left converter pipe.
- Remove (2) 15mm nuts from Left converter pipe flange to OE manifold and remove Left converter pipe.



INSTALLATION INSTRUCTIONS

MAKE: Ford
MODEL: F-150
YEAR: 2015-2022
ENGINE: V8-5.0L

Shorty Headers

49-33025-1

49-33025-1T

11. Support transmission/transfer case with floor jack and jack stand.
12. Remove (2) 18mm nuts from transmission mount.
13. Remove (4) 18mm nuts and 15mm bolts from cross member and remove cross member.
14. Remove (4) 15mm bolts on exhaust hanger mount to transmission.
15. Remove (2) 15mm nuts from right converter/OE Y-pipe flange to OE manifold and remove OE Y-pipe.
16. Reinstall transmission mount, and cross member temporarily.
17. Remove right heat shield on manifold (4) 6mm bolts.
18. Remove the (8) 10mm nuts from OE manifold and remove OE manifold.
19. Remove the OE studs from the manifold and re-install onto the aFe Power Header.
20. Install the right side aFe power header back on the cylinder head using the original gasket and (8) 10mm nuts and tighten.
21. For 2021 Models, The Two supplied bolts may need to be used for to replace the two upper center studs for the header.
22. Remove left heat shield on manifold (4) 6mm bolts.
23. For 2021 Models, Remove dipstick and tube.
24. Remove the (8) 10mm nuts from manifold and remove manifold.
25. Remove the OE studs from the manifold and re-install onto the aFe Power Header.
26. Install the left side aFe power header onto the cylinder head using the original gasket and (8) 10mm nuts and tighten.
27. Place the provided M5 screw through the hole in the aFe dipstick bracket. Insert the screw through the underside of the rear hole in the OE dipstick tube, then install the provided M5 nut on the topside. The slotted hole on the dipstick bracket will install on the engine.
28. Install the dipstick and tube onto the engine.
29. Support Transmission and transfer case with floor jack and jack stand.
30. Remove the cross member, and transmission mount.
31. Install factory exhaust hanger mount on OE Y-pipe and re-install the factory exhaust hanger mount on the transmission using the original (4) 15mm bolts and tighten.
32. Install Y-pipe using the OE hardware, make finger tight only at this time.
33. Re-install the cross member using the original (4) 18mm nuts and 15mm bolts and tighten
34. Lower transmission and transfer case onto cross member and re-install the original (2) 21mm bolts on transmission mount.
35. Tighten (4) 15mm nuts, and bolts on OE Y-pipe to aFe power headers.
36. Plug in O2 sensor connectors and make sure they are clear of drive shaft.
37. Re-install right and left heat shields to transmission cross member using the original (2) 6mm bolts.
38. Re-install skid plate using the original (4) 8mm bolts.
39. Re-install exhaust system and fasten to aFe power Y-pipe using OE hardware and tighten.
40. Re-connect battery.
41. Ensure that all the components are aligned and are at a safe clearance from all wires, hoses, brake lines, body parts, and tires.
42. Start the vehicle and check for any leaks. If any leaks are found, determine cause and repair as necessary.
43. It is recommended to re-tighten all clamps and hardware after 50-100 miles.