

**advanced FLOW engineering**

**Instruction Manual** P/N: 52-31912

---

Make: **BMW** Model: **335i/xi** Year: **2011-2013** Engine: **L6-3.0L (t) N55**

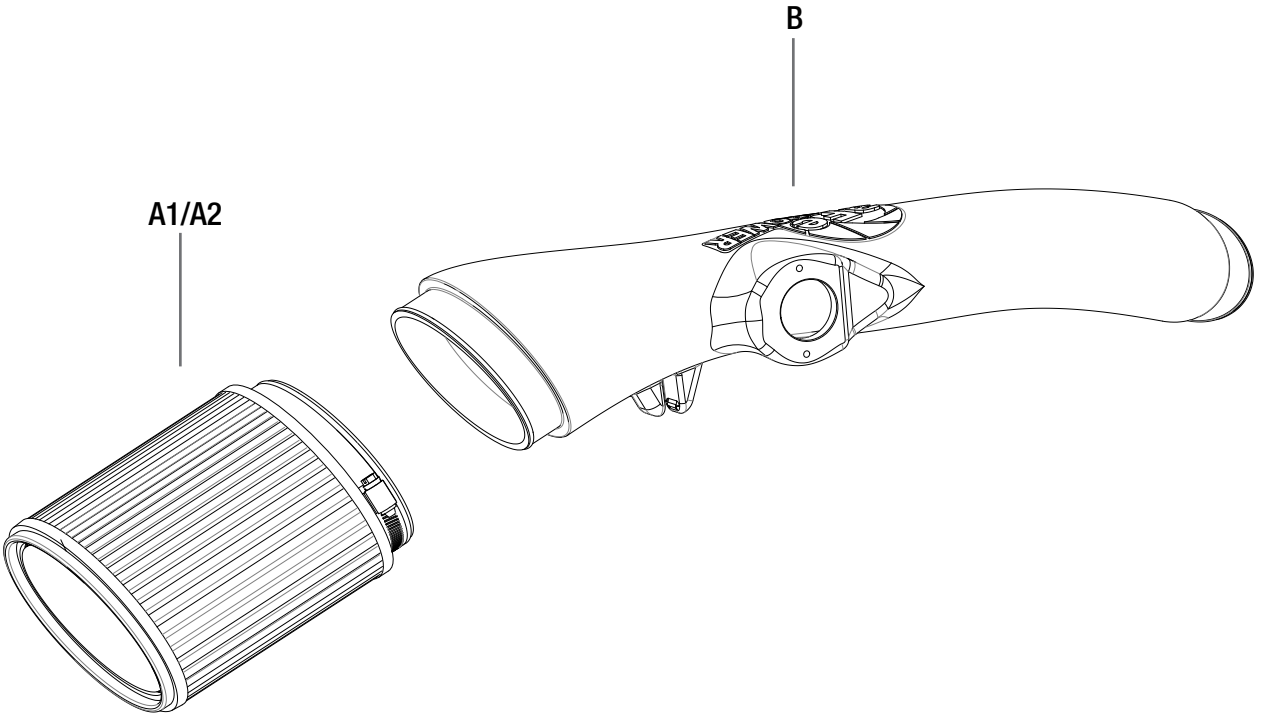


- Please read the entire instruction manual before proceeding.
- Ensure all components listed are present.
- If you are missing any of the components, call customer support at 951-493-7100.
- Ensure you have all necessary tools before proceeding.
- Do not attempt to work on your vehicle when the engine is hot.
- Disconnect the negative battery terminal before proceeding.
- Retain factory parts for future use.

Label	Qty.	Description	Part Number
A1	1	Pro Dry S Air Filter	21-90083 Grey Media
A2	1	Pro 5R Air Filter	24-90083 Blue Media
B	1	Tube	05-31912B1

Installation will require the following tools: 6mm nut driver, 8mm nut driver, and T25 torq bit and driver.

Note: Legal in California for use on race vehicles only. The use of this device on vehicles used on public streets or highways is strictly prohibited in California and others states that have adopted California emission regulations.



**Figure A****Refer to Figure A for steps 1-5**

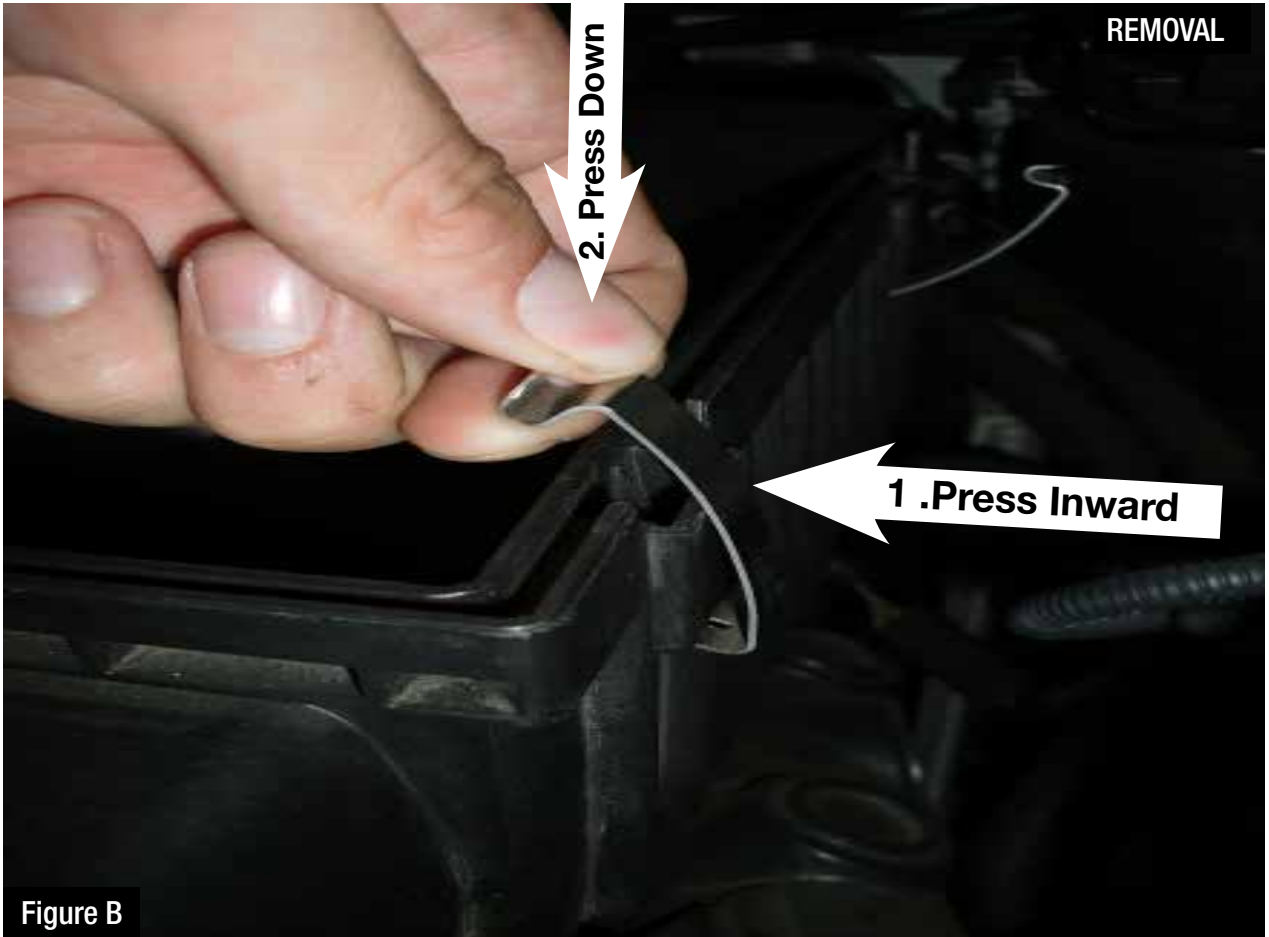
Step 1. Unclip the factory air-box in (4) places. ①

Step 2. Loosen the first hose clamp after the Mass Air Flow (MAF) sensor. ②

Step 3. Lift the OE tube up enough to disconnect the MAF sensor.

Step 4. Remove the OE intake tube and air filter.

Step 5. The lower half of the factory air-box should remain in place and will be reused.



**Figure B**

**Refer to Figure B for step 6-7**

Step 6. If you purchased the available Magnum FORCE Stage-2 Intake System Cover, then the (4) metal clips can remain in place.

Step 7. If you are planning on running the intake without the intake cover then the (4) metal clips can be removed by pushing them all the way closed and then pushing down firmly.

**Figure C****Refer to Figure C for steps 8-9**

Step 8. Use a T25 Torq to remove the two screws from the MAF sensor on the OE intake tube.

Step 9. Pull the sensor straight out to remove it.



**Figure D**

**Refer to Figure D for steps 10**

Step 10. Install the MAF sensor into the new aFe intake tube using the OE screws.

**Figure E****Refer to Figure E for steps 11-14**

- Step 11. Install either the PDS (Maximum convenience) or P5R (Maximum Performance) aFe air filter onto the end of the tube so that the intake can be installed as one assembly.
- Step 12. Plug the MAF sensor in first and then place the end of the tube into the OE coupling.
- Step 13. Press the aFe intake tube into place over the edge of the OE air box and tighten all of the clamps.
- Step 14. Black foam tape can be used to protect the surface of the air box or to tighten up the fitment from the aFe intake tube to OE air box.



Page left blank intentionally



Pro DRY S Air Filter



P/N: 21-90083

Pro 5R Air Filter



P/N: 24-90083

Cold Air Intake System



P/N: 54-31918-B

Packages



P/N: 45-80002

Throttle Body Spacer



P/N: 46-31007

Twisted Steel Header



P/N: 48-36302

Packages



P/N: 45-80001

Cold Air Intake System



P/N: 54-81912

Module



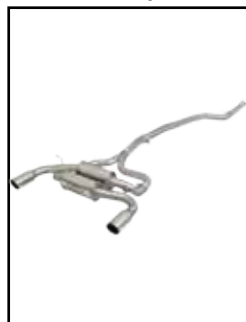
P/N: 77-46301

Module



P/N: 77-46304

Exhaust System



P/N: 49-36326-P

Sprint Booster

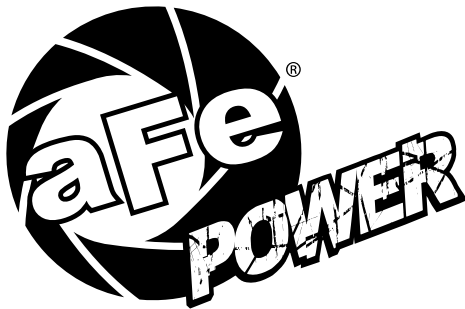


P/N: 77-16302

To purchase any of the items above, view airflow charts, dyno graphs, photos, and video please go to [aFePower.com](http://aFePower.com).

# Warranty

aFe warrants their intake systems to be free of defects from workmanship and materials for a period of two (2) years, provided the intake system was: A) installed in an aFe recommended application according to aFe installation instructions; and B) the air filter has been properly cleaned utilizing an aFe cleaning solution and oil (not applicable on Pro DRY S filters). Damage from abuse, improper cleaning, improper oil and improper installation or from open flame is not covered by this limited warranty. In the event of a defect of an aFe product within the period covered by this limited warranty, the purchaser can return the product to the dealer where it was purchased or send the product to aFe at the address listed on the back after obtaining a Return Good Authorization (RGA) number from aFe. The original register receipt will be required as proof of purchase. Purchaser will be entitled to a refund of the entire purchase price or a replacement of the product at aFe's discretion. Purchaser shall be responsible for the cost of shipping the defective product to aFe. An RGA number can be obtained by calling aFe customer service. Products shipped without an RGA number will be refused. A refund or replacement of the product shall be the sole remedy available under this limited warranty and aFe shall not be responsible for consequential or incidental damages. (Some states do not allow this exclusion or limitation of incidental or consequential damages, so the above limitation or exclusion may not apply). This warranty gives you specific legal rights, and you may have other rights, which vary from state to state.



**advanced FLOW engineering, inc.**  
252 Granite Street Corona, CA 92879  
TEL: 951.493.7100 • TECH: 951.493.7100 x23  
E-Mail: [Tech@aFepower.com](mailto:Tech@aFepower.com)