

# advanced FLOW engineering

## Instruction Manual P/N: 52-81013-C

---

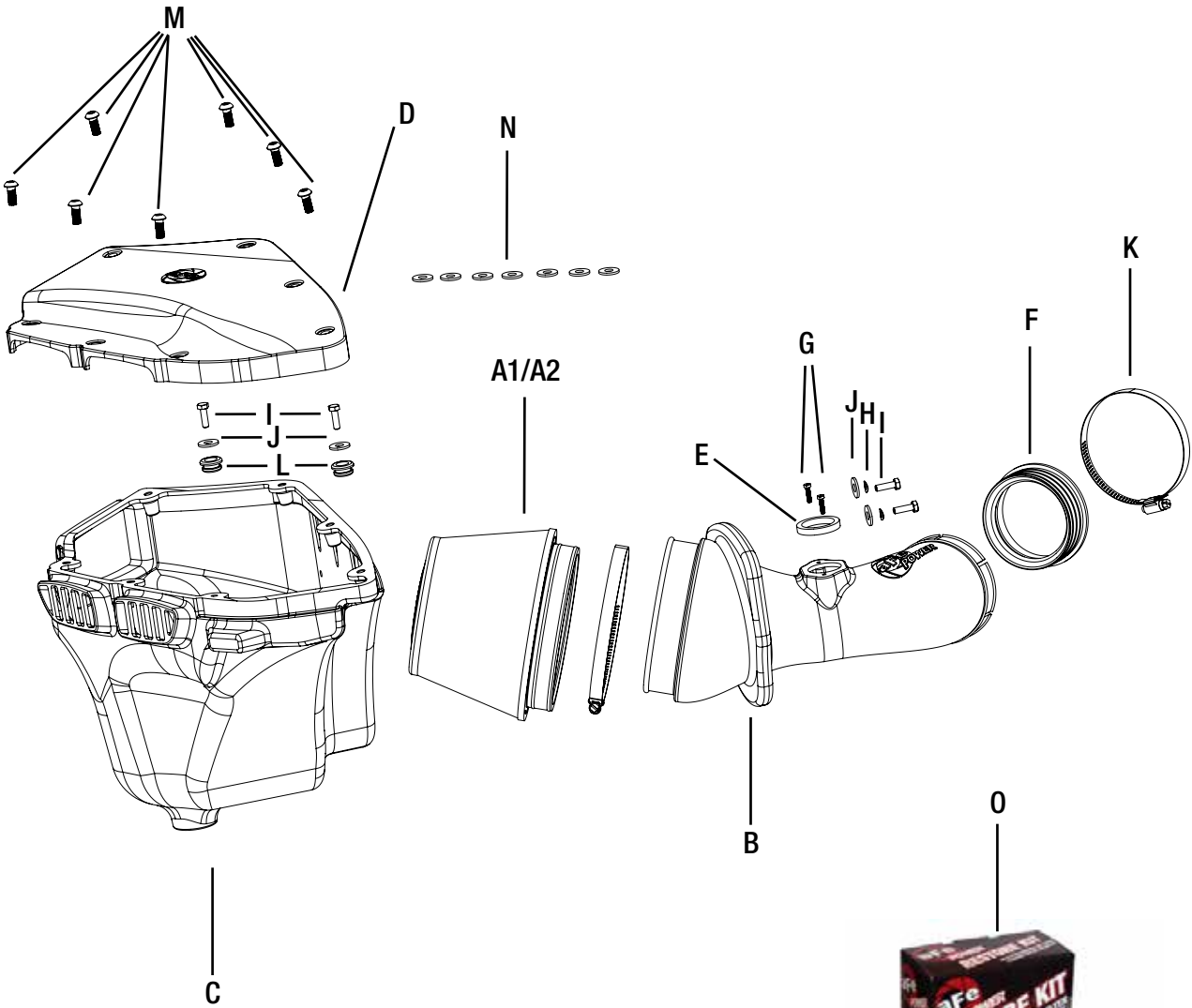
Make: **BMW** Model: **3-Series (E9X)** Year: **06-13** Engine: **L6-3.0L Non-Turbo**



- Please read the entire instruction manual before proceeding.
- Ensure all components listed are present.
- If you are missing any of the components, call customer support at 951-493-7100.
- Ensure you have all necessary tools before proceeding.
- Do not attempt to work on your vehicle when the engine is hot.
- Disconnect the negative battery terminal before proceeding.
- Retain factory parts for future use.

| Label | Qty. | Description          | Part Number           |
|-------|------|----------------------|-----------------------|
| A1    | 1    | Pro DRY S Air Filter | 21-91054 (Gray Media) |
| A2    | 1    | Pro 5R Air Filter    | 24-91054 (Blue Media) |
| B     | 1    | Tube                 | 05-81012B1            |
| C     | 1    | Housing              | 05-81012B2            |
| D     | 1    | Cover, Carbon Fiber  | 05-81012C4            |
| E     | 1    | Gasket MAF Sensor    | 05-01177              |
| F     | 1    | Coupling T/B Adaptor | 05-01165              |
| G     | 2    | Cheese Head Screw    | 03-50034              |
| H     | 2    | Washer, Lock M6      | 03-50071              |
| I     | 4    | Screw, Hex Head      | 03-50052              |
| J     | 4    | Washer, Flat M6      | 03-50070              |
| K     | 1    | Clamp #064           | 03-50006              |
| L     | 2    | Grommet              | 03-50033              |
| M     | 7    | Screw, Button Head   | 03-50259              |
| N     | 7    | Rubber Washers       | 03-50269              |
| O     | 1    | Restore Kit          | 90-50501              |

Note: Legal in California for use on race vehicles only. The use of this device on vehicles used on public streets or highways is strictly prohibited in California and others states that have adopted California emission regulations.

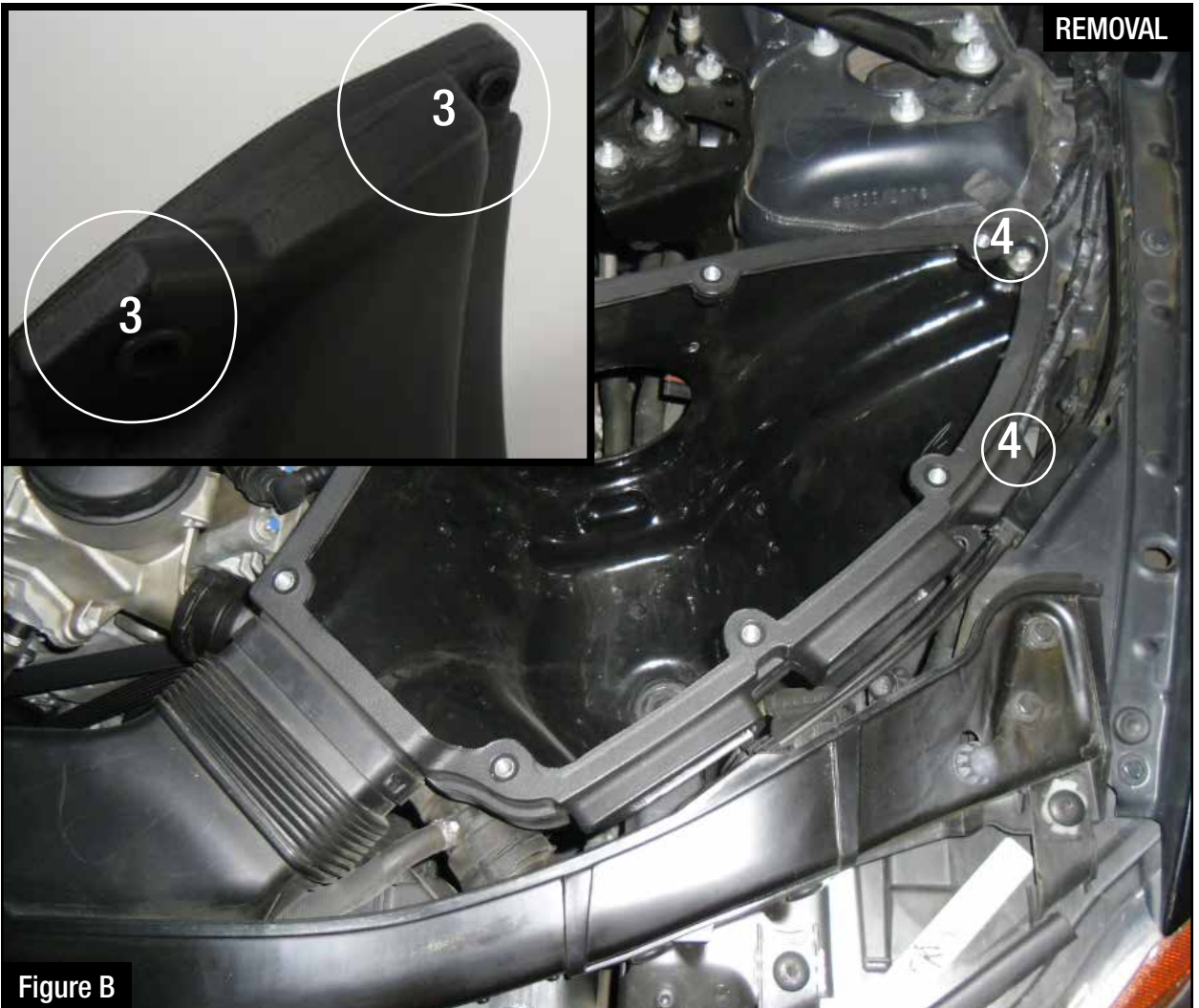




**Figure A**

**Refer to Figure A for Steps 1-4**

- Step 1: Remove the air filter housing mounting bolts (2). ①
- Step 2: Disconnect the wiring harness from the MAF sensor. ②
- Step 3: Loosen the hose clamp securing the intake tube to the throttle body.
- Step 4: Remove the entire filter housing and intake tube from vehicle.



**Refer to Figure B for Steps 5-7**

Step 5: Install 2 grommets on aFe housing. ③

Step 6: Install the aFe housing into the vehicle using the OE mounting bushing.

Step 7: Secure the housing using the furnished M6 screws and washers. ④

(You will need a wrench to access one of the screws.)



**Refer to Figure C for Steps 8-11**

Step 8: Remove the MAF sensor from factory filter housing.

Step 9: Install the MAF sensor on aFe tube using furnished gasket and M4 screws.

Step 10: Install the clamp on the end of the tube. ( Do not tighten)

Step 11: Install the aFe filter on the tube.





Figure D

**Refer to Figure D for Steps 12-13**

Step 12: Install the adaptor on the throttle body.

Step 13: Slide the tube through the housing and install it over the throttle body adaptor.



Figure E

**Refer to Figure E for Steps 14-16**

Step 14: Secure tube to housing using M6 screws, flat washers and wavy washers. (5)

Step 15: Tighten clamp to throttle body spacer. (6)

Step 16: Re-connect wire harness to the MAF sensor. (7)





Figure F

**Refer to Figure F for Steps 17-18**

Step 17: Install cover on housing using button head screws and rubber washers to protect the carbon fiber.

Step 18: Reconnect battery cable. Your installation is now complete. Verify all clamps are secure and re-check periodically.



Pro DRY S Air Filter



P/N: 21-91054

Pro 5R Air Filter



P/N: 24-91054

Pro DRY S Restore Kit



P/N: 90-59999

Blue Squeeze Restore Kit



P/N: 90-50501

Blue Aerosol Restore Kit



P/N: 90-50001

Twisted Steel Header



P/N: 48-36307

Race Pipe



P/N: 49-36319

Cat-Back Exhaust



P/N: 49-36313

Dynamic Air Scoop



P/N: 54-11478

Direct Fit Air Filter



P/N: 30-10131

aFe Gear



P/N: 40-30383

To purchase any of the items above, view airflow charts, dyno graphs, photos, and video; please go to [aFepower.com](http://aFepower.com).

# Warranty

## General Terms:

- aFe warrants their products to be free from manufacturer's defects due to workmanship and material.
- This warranty applies only to the original purchaser of the product and is non-transferrable.
- Proof of purchase of the aFe product is required for all warranty claims.
- Warranty is valid provided aFe instructions for installation and/or cleaning were properly followed.
- Proper maintenance with regular inspections of product is required to insure warranty coverage.
- Damage due to improper installation, abuse, unauthorized repair or alteration is not warranted.
- Incidental or consequential damages or cost, including installation and removal of part, incurred due to failure of aFe product is not covered under this warranty.
- All warranty is limited to the repair and/or replacement of the aFe part. To request Return Goods Authorization ("RGA"), email [RGA@afepower.com](mailto:RGA@afepower.com) or call (951)493-7100. Upon receipt of the RGA, you must return the product to the address provided in the RGA, freight prepaid and accompanied with a dated proof of purchase and the RGA. Upon receipt of the defective product and upon verification of proof of purchase, aFe will either repair or replace the defective product within a reasonable time, not to exceed thirty days.

| Product Category                 | P/N Prefix             | Warranty duration   |
|----------------------------------|------------------------|---------------------|
| Direct OE Replacement Filters    | 10, 11, 30, 31, 71, 73 | Life of the vehicle |
| Racing Filters                   | 18                     | 1 year              |
| Universal                        | 21, 24, 72             | 2 years             |
| Air Intake Systems               | 50, 51, 54, 55, 75     | 2 years             |
| Exhaust Systems                  | 49                     | 2 years             |
| Intercoolers & Intercooler Tubes | 46-2                   | 2 years             |
| Intake Manifolds                 | 46-1                   | 2 years             |
| Differential Cover               | 46-7                   | Life of the vehicle |
| Exhaust Manifolds                | 46                     | 2 years             |
| Throttle Body Spacers            | 46-3                   | 2 years             |
| Fluid Filters                    | 44                     | 90 days             |
| Pre-Filters                      | 28                     | 2 years             |
| Heavy Duty OE Replacement        | 70                     | 2 years             |
| PowerSports OE Replacement       | 81, 87                 | 2 years             |
| PowerSports Intake Systems       | 85                     | 2 years             |

No other warranty expressed or implied applies nor is any person or advanced FLOW engineering authorized to assume any other warranty. Some States do not allow the exclusion or limitation of incidental or consequential damages or do not allow limitations on how long an implied warranty lasts, so the above limitations or exclusions may not apply to you. This warranty gives you specific legal rights, and you may also have other rights which vary from State to State.



**advanced FLOW engineering, inc.**  
252 Granite Street Corona, CA 92879  
TEL: 951.493.7100 • TECH: 951.493.7100 x23  
E-Mail: [Tech@aFepower.com](mailto:Tech@aFepower.com)